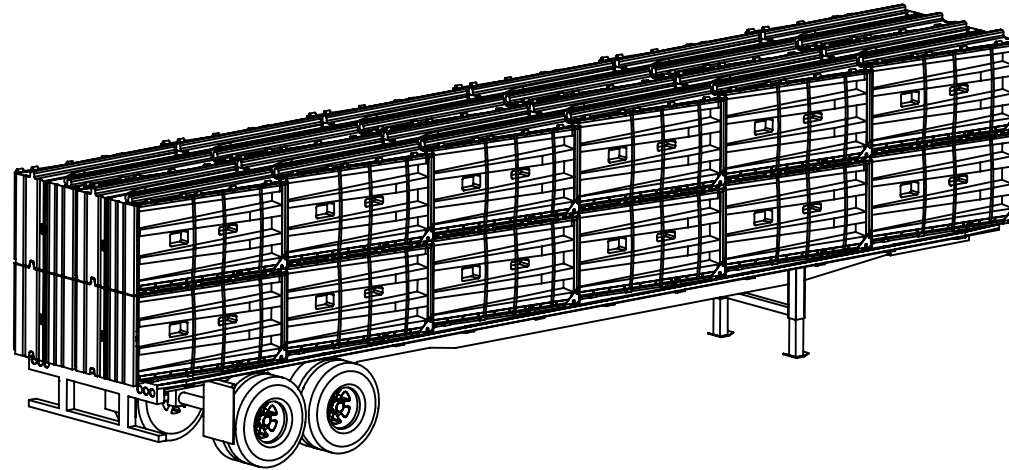


THE INFORMATION CONTAINED IN THIS DRAWING IS THE SOLE PROPERTY OF MUSCLEWALL, L.L.C. ANY REPRODUCTION IN PART OR WHOLE WITHOUT THE WRITTEN PERMISSION OF MUSCLEWALL, L.L.C. IS PROHIBITED. ALL RIGHTS RESERVED © 2013



ITEM NO.	QTY.	PART NUMBER	DESCRIPTION
1	1	TRLR_48	48' FLAT BED TRAILER
2	48	MW-848	EIGHT FOOT WALL
3	24	RTCHT_STRP_BNDL_8FT	RATCHET STRAP

- NOTES:**
- INTERPRET PER ASME Y14.41-2003. THIS DRAWING SHALL BE USED WITH MODEL OF THE SAME NAME FOR COMPLETE PRODUCT DEFINITION.

PROPRIETARY

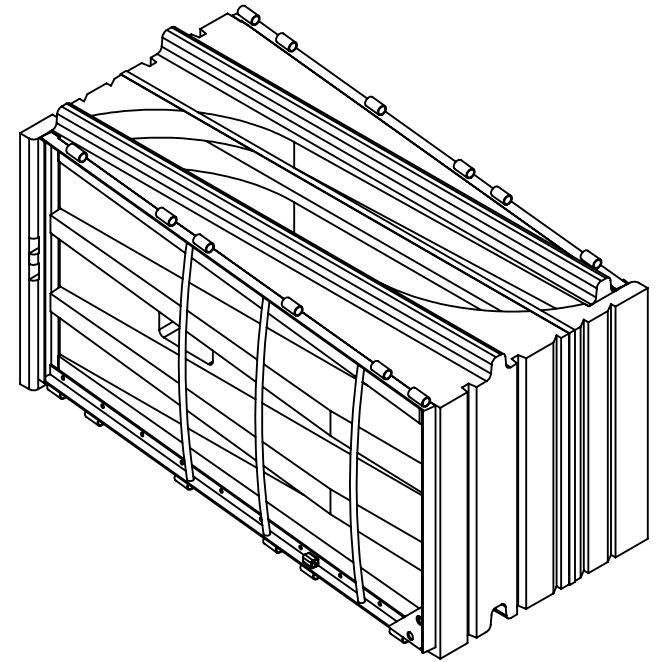
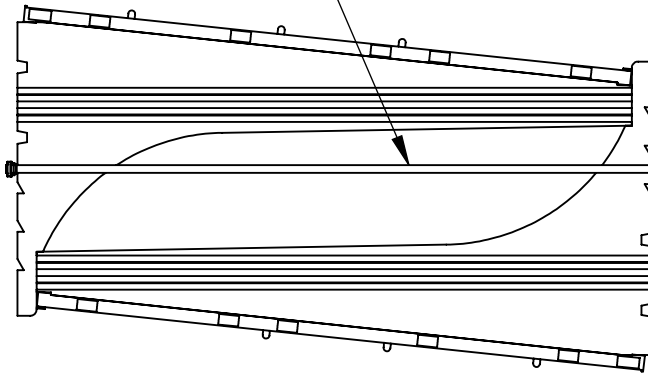
COPYRIGHT © 2013 BY MUSCLE WALL ALL RIGHTS RESERVED. THE INFORMATION CONTAINED IN THIS DOCUMENT IS PROPRIETARY AND SHALL NOT BE REPRODUCED OR DISCLOSED IN PART OR AS A WHOLE WITHOUT THE WRITTEN PERMISSION OF MUSCLE WALL.

UNLESS OTHERWISE SPECIFIED DIMENSIONS ARE IN INCHES TOLERANCES ARE: FRACTIONS DECIMALS ANGLES X.X ± 0.2 IN X ± 2.0 X.XX ± 0.020 IN X.X ± 0.5 X.XXX ± 0.005 IN X.XX ± 0.1		APPROVALS DRAWN KYLE M CHECKED	DATE 11/18/2013	MUSCLE WALL [®]
MATERIAL N/A	FINISH N/A	COG ENG	QA	
DO NOT SCALE DRAWING		RELEASED		CAGE CODE 54FP9
8 FT TRAILER LOADING				SIZE DWG. NO. A MWD-00017_R01
SCALE 1:100			SHEET 1 OF 3	

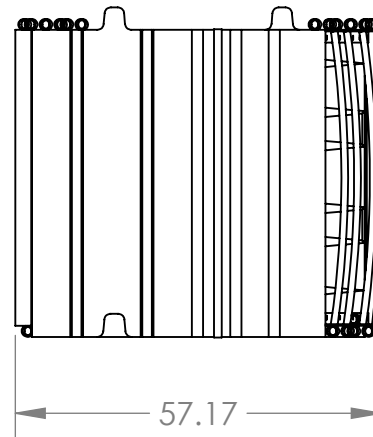
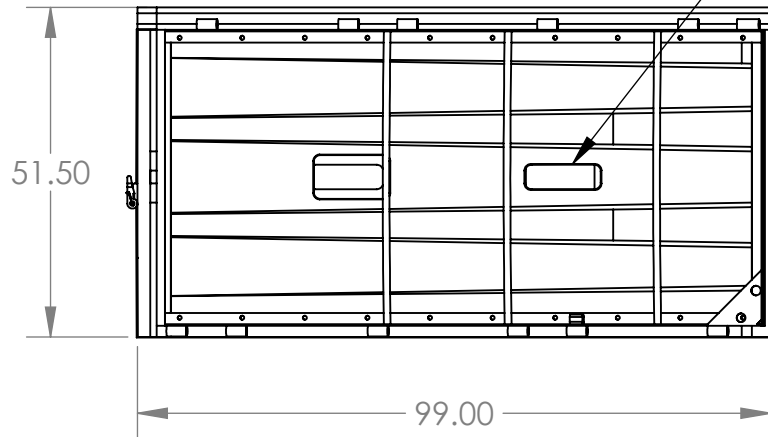
THE INFORMATION CONTAINED IN THIS DRAWING IS THE SOLE PROPERTY OF INVENSIENCE, L.C. ANY REPRODUCTION IN PART OR WHOLE WITHOUT THE WRITTEN PERMISSION OF INVENSIENCE, L.C. IS PROHIBITED. ALL RIGHTS RESERVED © 2013

NOTE 2
RATCHET STRAP

EIGHT FOOT BUNDLE



FORK LIFT POCKETS



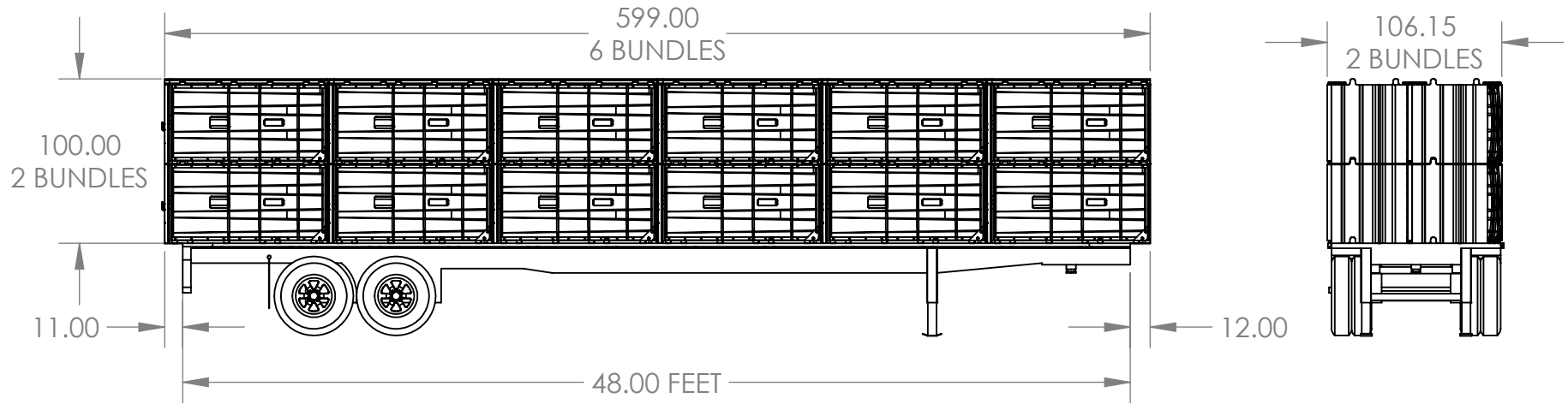
NOTES:

1. EIGHT FOOT BUNDLE CONSISTS OF 2 WALLS.
2. RATCHET STRAP SHOULD WRAP AROUND BOTH WALLS LENGTHWISE.
3. NO PALLET USED IN THIS BUNDLE.
4. EACH BUNDLE WEIGHS 700 LBS.



CAGE CODE		54FP9	
8 FT TRAILER LOADING			
SIZE A	DWG. NO. MWD-00017_R01		
SCALE 1:30		SHEET 2 OF 3	

THE INFORMATION CONTAINED IN THIS DRAWING IS THE SOLE PROPERTY OF INVENSIENCE, L.C. ANY REPRODUCTION IN PART OR WHOLE WITHOUT THE WRITTEN PERMISSION OF INVENSIENCE, L.C. IS PROHIBITED. ALL RIGHTS RESERVED © 2013



NOTES:

1. TRAILER LOAD CONSISTS OF 24 BUNDLES.
2. TRAILER LOAD IS 16,800 LBS.



CAGE CODE		54FP9
8 FT TRAILER LOADING		
SIZE A	DWG. NO. MWD-00017_R01	
SCALE 1:100		SHEET 3 OF 3